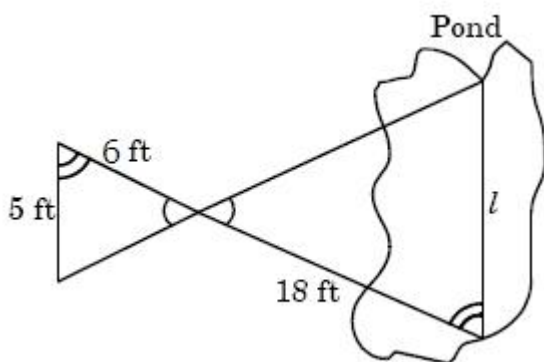


Test 3.1 Printable Version

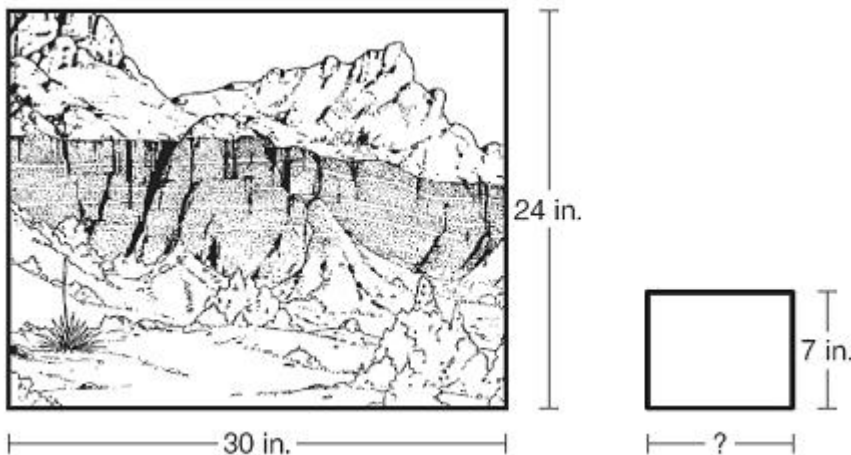
1. Gloria can read an average of 21 pages in a 30-minute reading period at school. At this rate, approximately how long would it take her to read a 560-page book?
 - A. 11 hours
 - B. 13 hours
 - C. 26 hours
 - D. 53 hours
2. Jake wanted to measure to measure the length l , of the pond using the diagram below.



What is the length, l , of the pond?

- A. 8 ft
 - B. 15 ft
 - C. 20 ft
 - D. 30 ft
3. A watch loses 3 minutes every 24 hours. How much time will it lose in 2 hours?
 - A. 1.6 seconds
 - B. 5 seconds
 - C. 15 seconds
 - D. 22.5 seconds

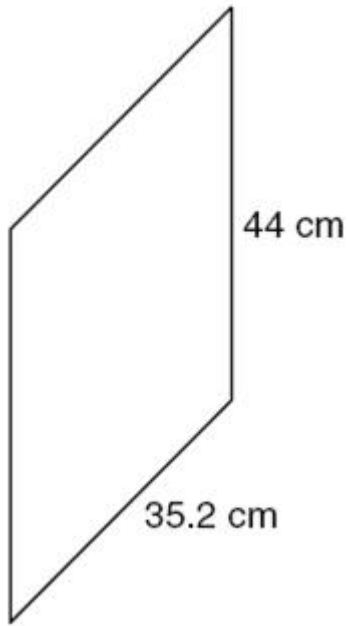
4. The athletic budget of \$65,000 at Central East High School is allocated proportionally to male and female athletic teams according to the student population by gender. If there are 400 female and 475 male students enrolled at Central East High School, which of these is closest to the amount allocated to female athletics?
- A. \$35,300
 B. \$29,700
 C. \$32,500
 D. \$26,000
5. Two race cars travel at constant speeds in the same direction around a track. The faster car travels 190 miles per hour and completed 50 laps. A slower car completes 48 laps, which of the following represents the slower drivers speed?
- A. 182 mph
 B. 160 mph
 C. 152 mph
 D. 145 mph
6. The picture below is Larry's favorite picture.



Larry had a reduced copy of the picture made as a gift for his father. If the reduced picture was similar to the original and the height of the reduced picture was 7 inches, what was its width?

- A. 13 inches
 B. 5.60 inches
 C. 8.75 inches
 D. 10 inches

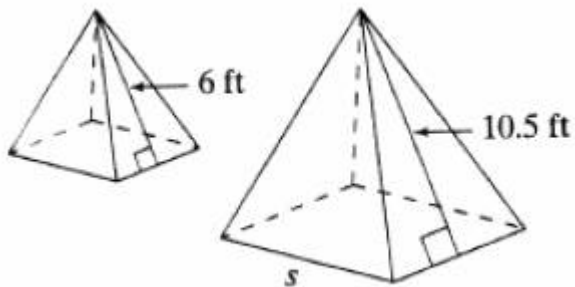
7. A certain parallelogram has the dimensions shown.



Which set of dimensions would produce a similar figure?

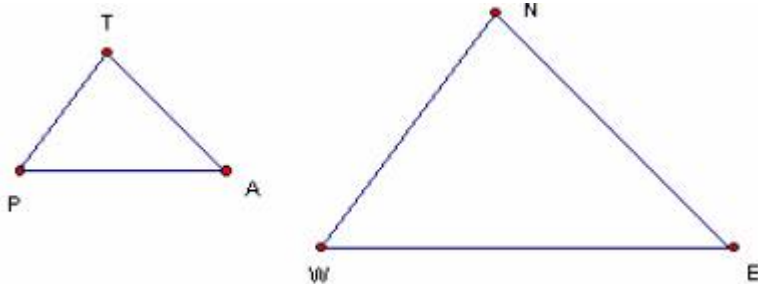
- A. 17.6 cm, 88 cm
- B. 70.4 cm, 176 cm
- C. 105.6 cm, 132 cm
- D. 140.8cm, 220 cm

8. The two square pyramids are similar.



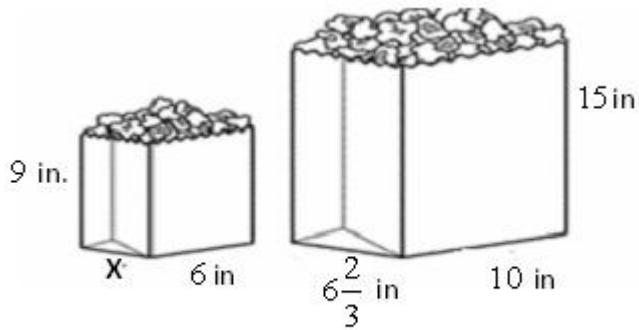
If the perimeter of the base of the smaller pyramid is 28 feet, what is the length, s , of the larger pyramid?

- A. 4.00 feet
B. 11.50 feet
C. 12.25 feet
D. 49.00 feet
9. If $\triangle TAP$ is similar to $\triangle NEW$, $TP = 8$, $TA = 12$, $AP = 16$, $NW = 12$. Find EW .



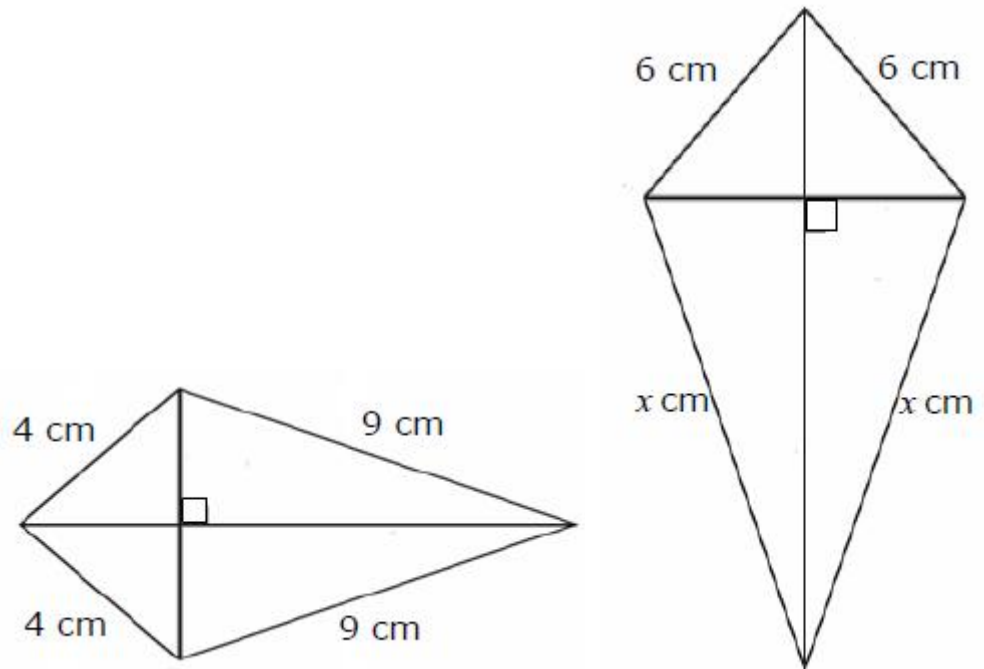
- A. 24
B. $10\frac{2}{3}$
C. 18
D. 6

10. The two boxes of popcorn are similar. Find the width, x of the smaller box.



- A. $2\frac{2}{3}$ inches
- B. 3 inches
- C. 4 inches
- D. $6\frac{2}{3}$ inches

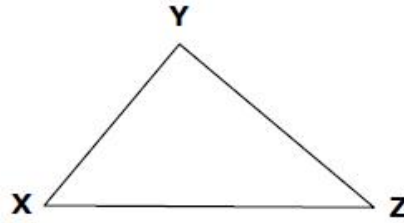
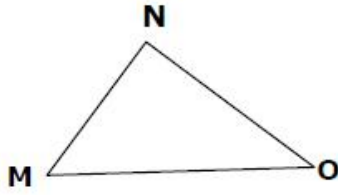
11. The two quadrilaterals that are pictured below are similar. Find the length of the



missing side, x .

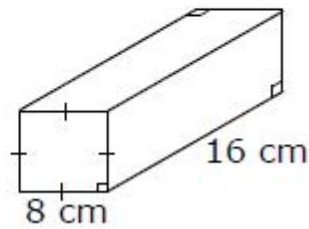
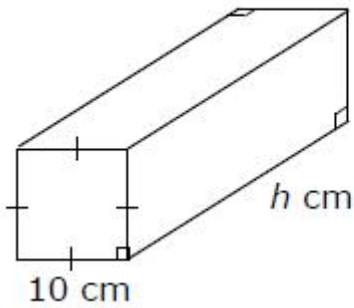
- A. 2.7 cm.
- B. 13.5 cm.
- C. 6 cm.
- D. 11 cm.

12. $\triangle MNO \sim \triangle XYZ$, $MN = 4$, $NO = 6$, $OM = 8$, $XY = 5$. Find the length of XZ .



- A. 6.4
- B. 7.5
- C. 9
- D. 10

13. The similar rectangular prisms shown below have square bases.



What is the volume of the larger prism?

- A. 200 cm^3
- B. 1000 cm^2
- C. 1024 cm^2
- D. 2000 cm^3